

**Pioneer** *sound.vision.soul*

DVD / CD WRITER  
LECTEUR DE DVD / CD  
GRABADORA DE DISCOS DVD Y CD

# DVR-A07



Operating Instructions  
Mode d'emploi  
Manual de instrucciones



DVD+ReWritable



# IMPORTANT



The lightning flash with arrowhead symbol, within an equilateral triangle, is intended to alert the user to the presence of uninsulated "dangerous voltage" within the product's enclosure that may be of sufficient magnitude to constitute a risk of electric shock to persons.



**CAUTION:**  
TO PREVENT THE RISK OF ELECTRIC SHOCK, DO NOT REMOVE COVER (OR BACK). NO USER-SERVICEABLE PARTS INSIDE. REFER SERVICING TO QUALIFIED SERVICE PERSONNEL.



The exclamation point within an equilateral triangle is intended to alert the user to the presence of important operating and maintenance (servicing) instructions in the literature accompanying the appliance. **H002\_En**

**NOTE:** This equipment has been tested and found to comply with the limits for a Class B digital device, pursuant to Part 15 of the FCC Rules. These limits are designed to provide reasonable protection against harmful interference in a residential installation. This equipment generates, uses, and can radiate radio frequency energy and, if not installed and used in accordance with the instructions, may cause harmful interference to radio communications. However, there is no guarantee that interference will not occur in a particular installation. If this equipment does cause harmful interference to radio or television reception, which can be determined by turning the equipment off and on, the user is encouraged to try to correct the interference by one or more of the following measures:

- Reorient or relocate the receiving antenna.
- Increase the separation between the equipment and receiver.
- Connect the equipment into an outlet on a circuit different from that to which the receiver is connected.
- Consult the dealer or an experienced radio/TV technician for help.

**H010\_En**

## Information to User

**H011\_En**

Alteration or modifications carried out without appropriate authorization may invalidate the user's right to operate the equipment.

## [For Canadian model]

This Class B digital apparatus complies with Canadian ICES-003.

## [Pour le modèle Canadien]

Cet appareil numérique de la classe B est conforme à la norme NMB-003 du Canada.

**H009\_ZL**

# **DANGER – VISIBLE AND INVISIBLE LASER RADIATION WHEN OPEN. AVOID DIRECT EXPOSURE TO BEAM.**

**CAUTION :** USE OF CONTROLS OR ADJUSTMENTS OR PERFORMANCE OF PROCEDURES OTHER THAN THOSE SPECIFIED HEREIN MAY RESULT IN HAZARDOUS RADIATION EXPOSURE.

**CAUTION :** THE USE OF OPTICAL INSTRUMENTS WITH THIS PRODUCT WILL INCREASE EYE HAZARD.

**H013\_En**

## VAROITUS:

Laitteen käyttäminen muulla kuin tässä käyttöohjeessamainitulla tavalla saattaa altistaa käyttäjän turvallisuusluokan 1 ylittävälle näkymättömälle lasersäteilylle.

## ADVARSEL:

Usynlig laserstråling ved åbning når sikkerhedsafbrydere er ude af funktion. Undgå udsættelse for stråling.

*This product complies with the EMC Directives (89/336/EEC, amended by 92/31/EEC and 93/68/EEC).*

**H016AE<sub>n</sub>**

*Ce produit est conforme aux directives relatives à la compatibilité électromagnétique (89/336/CEE, amendements 92/31/CEE et 93/68/CEE).*

**H016AF<sub>r</sub>**

*Este producto cumple con las Directivas EMC (89/336/CE, correcto por la 92/31/CE y la 93/68/CE).*

**H016AS<sub>p</sub>**

#### FEDERAL COMMUNICATIONS COMMISSION DECLARATION OF CONFORMITY

This device complies with part 15 of the FCC Rules. Operation is subject to the following two conditions: (1) This device may not cause harmful interference, and (2) this device must accept any interference received, including interference that may cause undesired operation.

Product Name: DVD-R/RW DVD+R/RW CD-R/RW WRITER  
Model Number: DVR-A06  
Responsible Party Name: PIONEER ELECTRONICS (USA) INC.  
Customer Support Division  
Address: 1925 E. DOMINGUEZ ST. LONG BEACH, CA 90810 U.S.A.  
Phone: (310) 952-2820

Thank you for buying this Pioneer product.

Please review these operating instructions to install and run your drive properly. After you have finished reading the instructions, put them away in a safe place for future reference.

K015 En

**WARNING:** THE APPARATUS IS NOT WATERPROOF, TO PREVENT FIRE OR SHOCK HAZARD, DO NOT EXPOSE THIS APPARATUS TO RAIN OR MOISTURE AND DO NOT PUT ANY WATER SOURCE NEAR THIS APPARATUS, SUCH AS VASE, FLOWER POT, COSMETICS CONTAINER AND MEDICINE BOTTLE ETC.

H001BEn

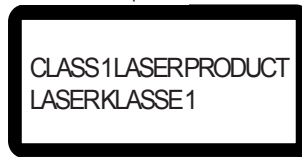
*The Generation of Acoustical Noise Is Less Than 70dB.  
(ISO7779/DIN45635)*

**CAUTION**

This product contains a laser diode of higher class than 1. To ensure continued safety, do not remove any covers or attempt to gain access to the inside of the product.  
Refer all servicing to qualified personnel.

The following caution label appears on your unit.

Location: on top of the cover.



H018A\_En

For pluggable equipment the socket-outlet shall be installed near the equipment and shall be easily accessible.

**IMPORTANT NOTICE**

Record the model and serial numbers of this drive below. The numbers are on the top panel.

Model No. **DVR-A07** \_\_\_\_\_

Serial No. \_\_\_\_\_

Keep these numbers for future reference.

H059En

**WARNING:**

Handling the cord on this product or cords associated with accessories sold with this drive exposes the user to lead, a chemical known to the State of California and other governmental entities to cause cancer and birth defects or other reproductive harm.

**Wash hands after handling.**

# SAFETY INSTRUCTIONS

To ensure your personal safety and to maximize the full operating potential of your drive, read and follow these safety notices:

**ENVIRONMENT - DO NOT** expose the unit to excessive dust, high temperature, or high humidity. Please avoid subjecting the unit to vibrations or shocks.

**POWER** - Turn OFF your system before installing hardware devices.

**READ & RETAIN INSTRUCTIONS** - Read all safety and operating instructions before installing the drive.

**FOLLOW INSTRUCTIONS** - Follow all operating and use instructions.

**HEED WARNINGS** - All warnings must be adhered to.

**CLEANING - DO NOT** use liquid, aerosol cleaners, or alcohol on the drive. Use only a damp cloth to clean the exterior housing.

**WATER AND MOISTURE - DO NOT** use this product near water.

**POWER SOURCES** - Operate this product from the type of power source indicated on the label. If you are not sure of the type of power available, consult an authorized Pioneer dealer.

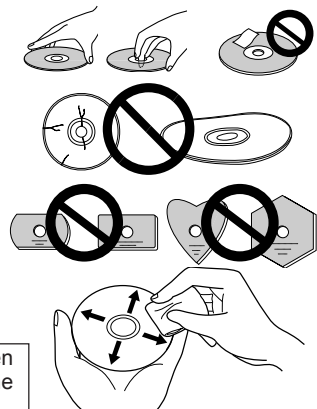
**OVERLOADING - DO NOT** overload wall outlets and extension cords. Doing so can result in fire or electric shock.

**OBJECT AND LIQUID ENTRY** - Never push objects of any kind into this product. Touching dangerous voltage points may cause a short resulting in fire or electric shock. Do not spill liquid of any kind on this product.

**CONDENSATION** - If the drive is moved from a cool environment to a warmer location, moisture can form inside of the mechanism causing performance issues. If you are moving the unit to a location with a warmer temperature, let the product stand for 1 to 2 hours at the new site before turning it ON.

**SERVICING** - Do not attempt to repair this product yourself. Opening or removing covers may expose you to dangerous voltage or other hazards. Refer all servicing to qualified service personnel. (Refer to the enclosed Service and Support Card.)

- ➔ Avoid touching or scratching the signal surface (shiny side) of the disc.
- ➔ Hold the disc by the edges or by the center hole and one edge.
- ➔ Do not affix paper or other types of labels to the disc.
- ➔ Discard warped or cracked discs as they may cause damage to the drive.
- ➔ Avoid specialty shaped discs such as hearts or polygons.
- ➔ Remove dust or lint from the disc with a soft cloth by wiping from the inside to the outside edge rather than in a circular motion.
- ➔ Do not use record-cleaning or anti-static agents as the solutions may cause damage to a disc.



Always store your discs in proper DVD-R storage cases when not in use. Check for dirt or dust on discs especially on the recording side before use.

# FEATURES

---

- Write Speed
  - 1X, 2X, 4X, and 8X Zone CLV at DVD-R
  - 1X, 2X, and 4X CLV at DVD-RW
  - 2.4X, 4X, 6X CLV, and 8X Zone CLV at DVD+R
  - 2.4X and 4X CLV at DVD+RW
  - 4X, 8X, 16X and 24X Zone CLV at CD-R
  - 4X, 10X, 16X, and 24X Zone CLV at CD-RW
- Maximum Read Speed
  - 12X CAV at DVD-ROM
  - 40X CAV at CD-ROM
- Buffer Memory Size :
  - 2 MBytes (Write/Read)
- \* ATAPI Interface:
  - ATA/ATAPI-5 and SFFC INF-8090i Ver5.11
- IDE Data Transfer Mode :
  - PIO Mode 4/Multi Word DMA Mode 2/Ultra DMA Mode 2
- Supports Video CD
- 5.25inch Half-Height built in type
- Stereo Audio Output
- LCD Tilt Servo Mechanism
- Horizontal/Vertical orientation available
- Low vibration Mechanism by DRA system
- Headphone Output and Volume Control Knob (optional)

## **Disc Format (Read/Write)**

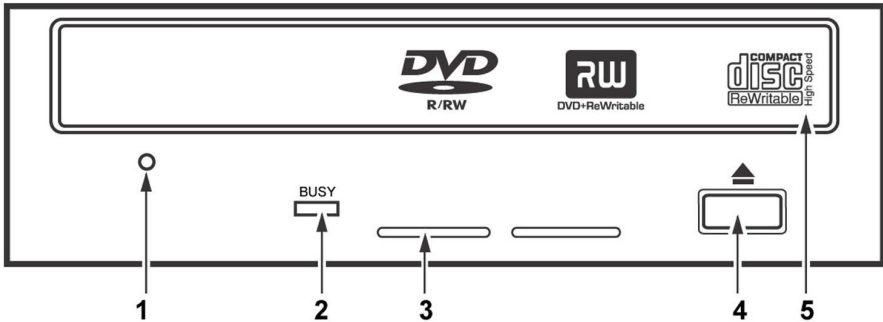
- KODAK Photo CD Singles and Multi-session
- Video CD and CD text data
- CD-ROM, CD-R and CD-RW (HS & US) discs
- DVD-ROM, DVD-R (Ver 2.0 General) and DVD-RW (Ver 1.0 & 1.1) discs
- DVD single layer/dual layer /120 mm disc/80 mm disc
- Reads DVD-RAM (Ver 2.0 & 2.1)
- +R (Ver 1.0 & 1.1)
- +RW (Version 1.2)
- CD-ROM Mode 1
- CD-ROM XA Mode2 (form 1, form2)
- CD-DA
- CD-Extra (CD PLUS)
- Supports Buffer Under Run protection (CD & DVD)
- \* Drive will obtain Microsoft® Windows® Logo Program (WHQL) certification

## **Note:**

*To write to disc, install an application that supports your chosen format.*

# INTERFACE

## FRONT VIEW



### 1 **Forced Ejection Hole**

If the tray fails to open when pressing the Eject button, turn off the system power and wait for the disc to stop spinning. Once the power is OFF, it may take as long as 1 minute for the disc to stop. Insert a stiff rod into the hole and push to eject the tray. During normal operation, always use the Eject button to open the tray.

### 2 **BUSY Indicator**

Operation status is indicated as follows.

During reading: Lights

During writing: Lights

### 3 **Ventilation Hole**

Do not block the vents.

### 4 **Eject Button**

To unload/load the disc, press the Eject button.

### 5 **Disc Tray**

Open the tray by pressing the Eject button. Place a CD or DVD disc on the tray with the label facing up. Press the Eject button again or push the front panel of the tray to close the tray and load the disc.

**Do not attempt to use force to pull out the disc tray.**

## When playing 8 cm (3.15") Discs

When the drive is installed vertically an 8cm (3.15") disc cannot be played. Attaching an adapter has no effect on vertically mounted drives.

Note: The Volume Control Knob and the Head Phone Jack are optional.

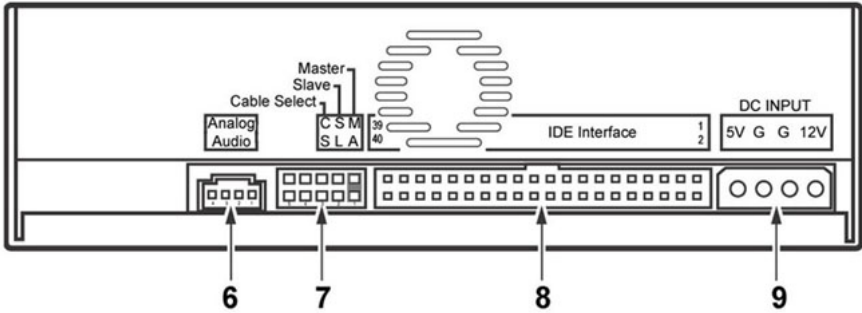
## ABOUT REGION CODES

The region code can only be changed **5 times** including the first setting. The fifth change becomes PERMANENT, therefore, avoid changing the region codes unless absolutely necessary.

÷ Region codes are part of the DVD Standard for devices. However, Region codes on DVD discs are optional. A disc without a specific Region code can be played on all standard players.

# INTERFACE

## REAR VIEW



### 6 Audio Output

This connector is for output of analog audio and is compatible with **Molex 70553**. Choose a suitable connection cable.

Pin	Name	Function
1	L	Left channel audio output
2	G	Ground
3	G	Ground
4	R	Right channel audio output

### 7 Device Configuration Jumper

The Switch changes to ON when a jumper is added (Pin 1 is on lower-right). Verify that the power is OFF before changing the jumper setting. The factory default for Pin # 1 is ON.

Pin	Name	Function
1	MA	on   The drive is the master device
2	SL	on   The drive is the slave device
3	CS	on   Set the drive to Cable Select
4		Reserved
5		Reserved

### 8 Host IDE Interface

Use a 40-pin flat cable to connect the drive to the computer's Enhanced-IDE port. The maximum length for this cable is 18 inches.

### 9 DC Input

Pin	Name	Function
1	+12	Power supply input for DC +12 V
2	G	Ground
3	G	Ground
4	+5	Power supply input for DC +5 V

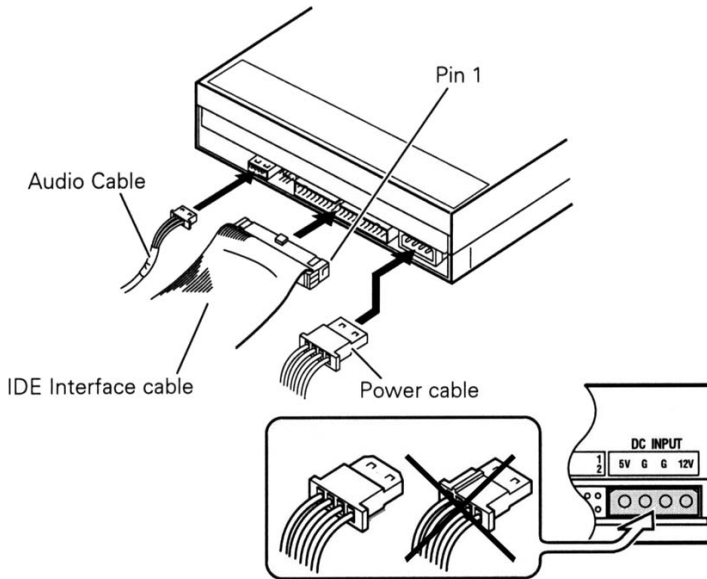


# INSTALLATION

---

- 1 Turn OFF the computer and remove the power cord from the wall outlet. Remove the cover or front panel from the PC.
  - 2 Remove the blank panel covering an empty 5.25" slot.
  - 3 Install the slide rails on the drive.  
(slide rails may be purchased separately from the computer manufacturer)
  - 4 Insert the drive into the slot.
  - 5 Refer to the computer's instruction manual if additional mounting methods are required.
- ÷ Mounting screws must be no longer than 3/16" or 5 mm. Using longer screws may damage the drive.
- ÷ When mounting screws are loose, the vibrations from the spinning disc may cause a ripping noise. To prevent this noise, tighten the screws.

# CONNECTIONS



- ÷ Turn OFF the power to the computer.
- ÷ Connect the power cable from the computer to the drive with the connector in the correct orientation.
- ÷ Connect the IDE interface cable to the drive with the IDE connector's pin 1 aligned with the drive's pin 1.
- ÷ If a sound card is being used, connect the computer's audio output to the sound card using an audio cable.

This drive is powered by the computer rather than having a separate power cord. Do not use a power supply other than the computer's internal unit.

# SPECIFICATIONS

## [Setting]

This drive may be installed horizontally or vertically.

## [Disc Size]

↑ 12 cm (4.72") / 8 cm (3.15")\*

\* 8 cm (3.15") discs cannot be used on vertically installed drives.

## [Data Transfer Rate]

Data Read (Sustained)

DVD

Max. 16.2 MBytes/sec. (5X-12X CAV over 16-block transfer)

CD

Max. 6.0 MBytes/sec. (17.2-40X CAV over 16-block transfer)

Data Write (Sustained)

DVD

Ave. 10.8 MBytes/sec. (8X DVD-R, +R)

CD

Ave. 3.6 MBytes/sec. (24X CD-R)

Host Interface specification

PIO Mode 4, Multiword DMA Mode2 16.6 MBytes/sec.

Ultra DMA Mode2 \*33.3 MBytes/sec.

\* The data transfer rate may not be output due to disc conditions (scratches, etc.).

**NOTE:** If attempting to read dirty, damaged or unbalanced media, the drive automatically slows the disc rotation thus lowering the transfer rate.

## [Access Time/ Seek Time]

Access time (Random average)

DVD-ROM 140 ms DVD-RAM 150 ms CD-ROM 130 ms

Seek time (Random average)

DVD-ROM 130 ms DVD-RAM 140 ms CD-ROM 120 ms

## [Audio Characteristic]

Line Out

0.75 ± 0.1 Vrms (at 10 kΩ load)

## [Others]

Power Supply

DC +12 V, 0.6 A

DC +5 V, 0.8 A

Dimensions

148 (W) x 42.3 (H) x 198 (D) mm

(including front panel)

5-27/32 (W) x 1-11/16 (H) x 7-25/32 (D) in.

Weight

1.1 kg (2.43 lb)

Operation temperature

+5°C to +45°C (41°F to 113°F)

Operation humidity

5% to 85% (no condensation)

Storage temperature

-40°C to +60°C (-40°F to 140°F)

Storage humidity

5% to 90% (no condensation)

## [Accessories]

Mounting screws (4)

Operating instructions (1)

CD of bundled software programs (1)

**NOTE:** Specifications and design subject to modifications without notice, due to improvements.

Nous vous remercions pour cet achat d'un produit Pioneer.

Nous vous demandons de lire soigneusement ce mode d'emploi ; vous serez ainsi à même de faire fonctionner l'appareil correctement. Après avoir bien lu le mode d'emploi, le ranger dans un endroit sûr pour pouvoir s'y référer ultérieurement.

K015Fr

*La production de bruits acoustiques est inférieure à 70 dB.  
(ISO7779/DIN45635)*

## IMPORTANT



Ce symbole de l'éclair, placé dans un triangle équilatéral, a pour but d'attirer l'attention de l'utilisateur sur la présence, à l'intérieur du coffret de l'appareil, de tensions dangereuses non isolées d'une grandeur suffisante pour représenter un risque d'électrocution pour les êtres humains.



**ATTENTION:**  
POUR EVITER TOUT RISQUE D'ELECTROCUTION, NE PAS ENLEVER LE COUVERCLE NI LE PANNEAU ARRIERE). AUCUNE PIECE REPARABLE PAR L'UTILISATEUR NE SE TROUVE A L'INTERIEUR. CONFIER TOUT ENTRETIEN A UN PERSONNEL QUALIFIE UNIQUEMENT.



Ce point d'exclamation, placé dans un triangle équilatéral, a pour but d'attirer l'attention de l'utilisateur sur la présence, dans les documents qui accompagnent l'appareil, d'explications importantes du point de vue de l'exploitation ou de l'entretien.

H002Afr

## ATTENTION

Ce produit renferme une diode à laser d'une catégorie supérieure à 1. Pour garantir une sécurité constante, ne pas retirer les couvercles ni essayer d'accéder à l'intérieur de l'appareil. Pour toute réparation, s'adresser à un personnel qualifié.

L'étiquette d'avertissement suivante apparaît sur votre appareil.  
Emplacement: sur le dessus du couvercle.



H018A\_Fr

Dans le cas d'appareils enfilables, la prise doit être facilement accessible et placée le plus près possible de l'appareil.

# INSTRUCTIONS DE SECURITE

Pour garantir votre sécurité personnelle et obtenir le maximum de votre lecteur, lire et suivre ces consignes de sécurité:

**ENVIRONNEMENT** - Ne pas utiliser cet appareil dans des endroits avec beaucoup de poussière, une température ou une humidité élevée. Utiliser l'appareil à un endroit où il n'est pas soumis à des vibrations ou des chocs.

**PUISSANCE** - Couper l'alimentation du système et des dispositifs joints avant l'installation.

**LIRE LES INSTRUCTIONS** - Lire toutes les instructions de sécurité et d'utilisation avant d'actionner le lecteur.

**CONSERVER LES INSTRUCTIONS** - Garder les instructions de sécurité et d'utilisation pour une future référence.

**SUIVRE LES INSTRUCTIONS** - Suivre toutes les instructions de fonctionnement et d'utilisation.

**ATTENTION AUX AVERTISSEMENTS** - Observer tous les avertissements.

**NETTOYAGE - NE PAS** utiliser de liquides, de détachants en aérosol ou de l'alcool. N'utiliser qu'un chiffon humide pour nettoyer les surfaces extérieures du boîtier.

**EAU ET HUMIDITE - NE PAS** utiliser ce produit à proximité d'eau.

**SOURCES D'ALIMENTATION** - Utiliser ce produit avec le type d'alimentation indiqué sur l'étiquette de fabrication. En cas de doute à propos du type d'alimentation disponible, consulter un revendeur Pioneer agréé.

**SURCHARGE - NE PAS** surcharger les prises murales et les rallonges pour ne pas entraîner d'incendie ou de secousse électrique.

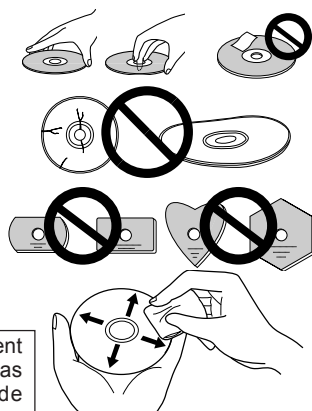
**PENETRATION D'OBJETS ET DE LIQUIDES** - Ne jamais enfoncer d'objet d'aucune sorte dans ce produit. Le contact avec des points de tension dangereux peut provoquer un court-circuit, entraînant un incendie ou une secousse électrique. Ne pas verser de liquide d'aucune sorte sur ce produit.

**CONDENSATION** - De l'humidité se forme sur la section de fonctionnement du produit entraînant une baisse de performances s'il est amené d'un endroit frais vers un environnement plus chaud. En cas de déplacement de l'appareil vers un endroit ayant une température plus chaude, laisser le produit pendant 1 à 2 heures dans le nouvel endroit avant de le remettre sous tension.

**ENTRETIEN** - Ne pas essayer de réparer soi-même ce produit. L'ouverture ou le retrait des capots peut vous exposer à une tension dangereuse ou d'autres dangers. Pour tout entretien, demander à un personnel d'entretien qualifié. (Se reporter à la carte d'entretien et de support jointe.)

- ÷ Evitez de toucher ou de griffer la surface du disque sur laquelle sont enregistrés les signaux (surface brillante).
- ÷ Saisissez le disque par les bords ou par le centre et un bord.
- ÷ Ne collez pas de papier ou d'étiquette sur le disque.
- ÷ Jetez les disques fissurés ou voilés, car ils peuvent endommager le lecteur.
- ÷ Evitez les disques de forme spéciale, notamment ceux en forme de coeur ou de polygone.
- ÷ Eliminez la poussière ou les peluches du disque à l'aide d'un linge doux en frottant de l'intérieur vers l'extérieur et non en effectuant un mouvement circulaire.
- ÷ N'utilisez jamais de produit de nettoyage pour disque ou d'agent antistatique, car ces solutions peuvent endommager le disque.

Rangez toujours vos disques dans les boîtes de rangement de DVD-R prévues à cet effet lorsque nous ne les utilisons pas et vérifiez s'ils ne sont pas couverts de saletés ou de poussières (surtout sur la face enregistrée) avant de les utiliser.



# CARACTERISTIQUES

---

## ↑ Vitesse d'écriture

- Vitesse linéaire constante 1X, 2X, 4X, et 8X Zone pour DVD-R
- Vitesse linéaire constante 1X, 2X, et 4X pour DVD-RW
- Vitesse linéaire constante 2.4X, 4X, 6X, et 8X Zone pour DVD+R
- Vitesse linéaire constante 2.4X et 4X pour DVD+RW
- Vitesse linéaire constante 4X, 8X, 16X et 24X Zone pour CD-R
- Vitesse linéaire constante 4X, 10X, 16X, et 24X Zone pour CD-RW

## ↑ Vitesse de lecture maximale

- Vitesse angulaire constante 12X pour DVD-ROM
- Vitesse angulaire constante 40X pour CD-ROM

## ↑ Taille de la mémoire tampon :

- 2 Mo (écriture/lecture)

## ↑ Mode de transfert de données IDE :

- PIO mode 4 / DMA multi-mot mode 2 / Ultra DMA mode 2

## ↑ Prise en charge des CD vidéo

## ↑ Type intégré 5,25 pouces demi-hauteur

## ↑ Sortie audio stéréo

## ↑ Servomécanisme de bascule d'écran à cristaux liquides

## ↑ Orientation horizontale / verticale au choix

## ↑ Mécanisme à faible vibration par système DRA

## ↑ Prise en charge du format CD text

## ↑ La commande de volume et la prise pour écouteurs sont optionnelles

## **Format du disque (lecture/écriture)**

### ↑ DVD simple couche / double couche / disque de 120 mm / disque de 80 mm

### ↑ DVD-R (en cas d'écriture, disque de 650 nm pour usage général seul)

### ↑ DVD-R haute vitesse (DVD-R VITESSE 4X Version 1,0)

### ↑ DVD-RW

### ↑ Lecture DVD-RAM (Ver 2.0 & 2.1)

### ↑ DVD-RW haute vitesse (DVD-RW VITESSE 2X Version 1,0)

### ↑ DVD+R (Version 1,0)

### ↑ DVD+R haute vitesse (DVD+R VITESSE 4X Version 1,1)

### ↑ DVD+RW (Version 1,1)

### ↑ CD-ROM Mode 1

### ↑ CD-ROM XA Mode 2 (forme 1, forme 2)

### ↑ CD Photo (une session ou plusieurs sessions)

### ↑ CD-DA

### ↑ CD-Extra (CD PLUS)

### ↑ CD-R

### ↑ CD-RW, CD-RW haute vitesse

### ↑ Mécanisme de protection du tampon lorsqu'en fonction (CD/DVD)

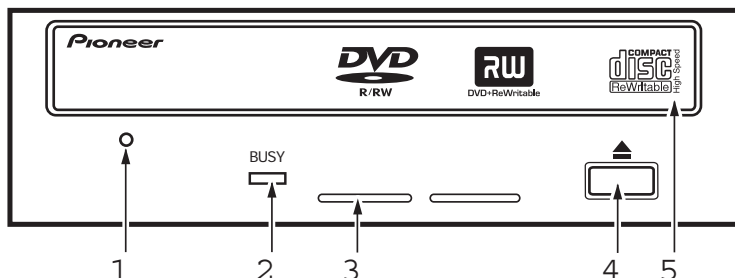
### ↑ Le lecteur sera certifié par le programme Microsoft Windows

## **Remarque :**

*Un programme d'application prenant en charge le format ci-dessus est nécessaire pour l'écriture.*

# INTERFACE

## VUE AVANT



### 1 Orifice d'éjection forcée

Insérer une tige rigide dans l'orifice et pousser pour éjecter le tiroir lorsque celui-ci ne s'ouvre pas lors d'un appui sur la touche d'éjection. En fonctionnement, utiliser uniquement la touche d'éjection pour ouvrir le tiroir. Veiller à ce que l'alimentation du lecteur soit coupée et attendre l'arrêt de la rotation du disque pendant plus d'une minute avant de tenter d'éjecter le tiroir au moyen de l'orifice d'éjection.

### 2 Voyant BUSY (occupé)

L'état de fonctionnement est signalé comme suit:

Pendant la lecture	S'allume
Pendant l'écriture	S'allume

### 3 Orifice de ventilation

Ne pas obstruer ces éléments.

### 4 Touche d'éjection (0)

Pour décharger / charger le disque, appuyer sur la touche.

### 5 Tiroir du disque

Ouvrir le tiroir de chargement en appuyant sur la touche d'éjection, puis placez un CD ou un DVD dans l'emplacement prévu avec l'étiquette tournée vers le haut. Appuyer sur la touche d'éjection ou sur la partie avant du tiroir pour charger le disque.

**N'essayez pas de retirer de force le plateau du disque.**

## Précautions à prendre lors de la lecture de disques de 8 cm

Les disques de 8 cm ne peuvent pas être lus par le lecteur même en utilisant un adaptateur intermédiaire au disque lorsque le lecteur est placé en position verticale.

NOTE: La commande de volume et la prise pour écouteurs sont optionnelles.

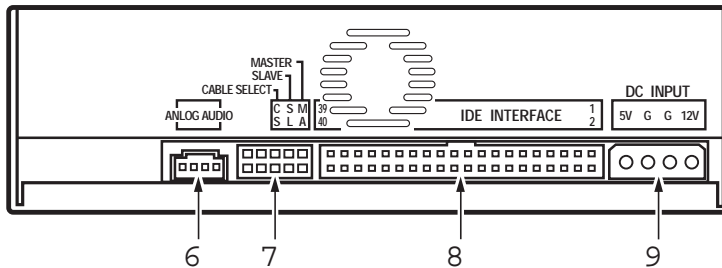
## A PROPOS DES CODES REGIONAUX

Le code régional peut être modifié **5 fois SEULEMENT** (premier réglage compris). Comme la cinquième modification sera DÉFINITIVE, soyez particulièrement prudent lorsque vous décidez de modifier les codes régionaux.

÷ Les codes régionaux sont couverts par la norme DVD. Toutefois, les codes régionaux des disques DVD sont facultatifs. Les disques DVD qui ne possèdent pas de code régional peuvent être reproduits sur tous les lecteurs.

# INTERFACE

## VUE DE LA FACE ARRIERE



### 6 Sortie audio

Connecteur pour sortie analogique audio.

Ce connecteur est compatible avec la norme « Molex 70553 ». Choisir un câble de connexion approprié.

Broche	Nom	Fonction
1	L	Sortie audio voie de droite (Left)
2	G	Terre
3	G	Terre
4	R	Sortie audio voie de gauche (Right)

### 7 Cavalier de configuration

ON signifie que le cavalier réunit les deux broches de cette position.

Veiller à ce que l'alimentation du lecteur soit coupée avant de changer la configuration du cavalier. La broche n° 1 est configurée sur ON en usine.

Broche	Nom	Fonction
1	MA	on   Le lecteur est utilisé en mode maître (Master).
2	SL	on   Le lecteur est utilisé en mode esclave (Slave).
3	CS	on   Utilisation de la fonction de sélection par câble (Cable Select).
4		Réservé.
5		Réservé.

### 8 Interface IDE avec l'hôte

Connecteur d'E/S 40 broches conforme aux spécifications ATA.

### 9 Entrée cc (DC)

Broche	Nom	Fonction
1	+12	Entrée cc +12 V
2	G	Terre
3	G	Terre
4	+5	Entrée cc +5 V

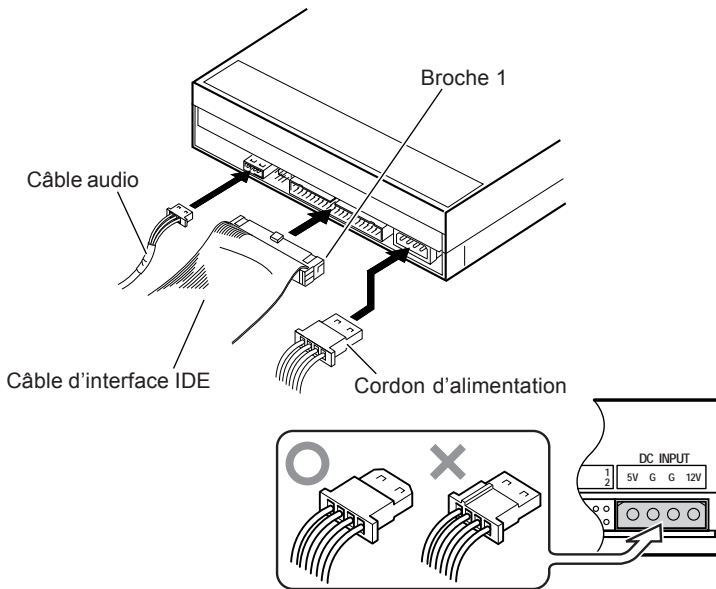


# INSTALLATION

---

- 1 Couper l'alimentation de l'ordinateur personnel, débrancher le cordon d'alimentation et déposer le capot ou le panneau avant.
  - 2 Retirer la plaque masquant de la fente de 5,25 pouces.
  - 3 Poser les glissières de fixation sur le lecteur. (S'adresser au magasin ou au fabricant de l'ordinateur lorsque des glissières sont nécessaires.)
  - 4 Introduire le lecteur dans la fente.
  - 5 Lorsqu'il est nécessaire de fixer le lecteur, se reporter au manuel d'instruction de l'ordinateur.
- ÷ Utiliser des vis ayant une longueur inférieure ou égale à 5 mm. L'utilisation de vis plus longues pourrait endommager le lecteur.
  - ÷ Lorsque les vis de fixation ne sont pas suffisamment serrées, etc., les vibrations provoquées par la rotation du disque peuvent générer un bruit de déchirure et il faut donc serrer les vis solidement pour éliminer ce bruit.

# RACCORDEMENT



- ÷ Mettre l'ordinateur personnel hors tension.
- ÷ Connecter le cordon d'alimentation de l'ordinateur personnel. Respecter la polarité du cordon lors du raccordement.
- ÷ Connecter le câble d'interface IDE. Confirmer que la broche 1 du connecteur IDE du lecteur est bien connectée à la broche 1 du câble.
- ÷ En cas d'utilisation d'une carte de sons, connecter la sortie audio à la carte de son à l'aide d'un câble audio.

N'oubliez pas que l'alimentation de cet appareil doit être fournie par l'ordinateur auquel il est relié. N'utilisez aucune autre alimentation que celle de l'ordinateur personnel.

# FICHE TECHNIQUE

## [Position]

Ce lecteur doit être utilisé en position horizontale et verticale.

## [Taille du disque]

↑ 12 cm / 8 cm\*

\* Les disques de 8 cm ne peuvent pas être utilisés en position verticale.

## [Vitesse de transfert des données]

Lecture de données (Soutenu)

DVD	Max. 16.2 Mo/s (Mode de vitesse angulaire constante 5X-12X sur 16 transferts de blocs)
CD	Max. 6.0 Mo/s (Mode de vitesse angulaire constante 17.2 à 40X sur 16 transferts de blocs)

Écriture de données (Soutenu)

DVD	Moy. 10.8 Mo/s (Écriture 8X sur DVD-R, +R)
CD	Moy. 3.6 Mo/s (Écriture 24X sur CD-R)

Spécification d'interface de l'hôte

PIO Mode 4, DMA Mode2 multi-mot à	16.6 Mo/s
Ultra DMA Mode2 à	*33.3 Mo/s

• La vitesse de transfert des données peut varier en fonction de l'état du disque (rayures, etc.).

NOTE: Si vous tentez d'effectuer la lecture de disques sales, endommagés ou qui ne sont pas équilibrés, le lecteur ralentira automatiquement son mécanisme pour ainsi réduire le débit de transfert binaire.

## [Temps d'accès / temps de recherche]

Temps d'accès (Moyenne aléatoire)

DVD-ROM 140 ms DVD-RAM 150 ms CD-ROM 130 ms

Temps de recherche (Moyenne aléatoire)

DVD-ROM 130 ms DVD-RAM 140 ms CD-ROM 120 ms

## [Caractéristiques Audio]

Sortie ligne 0.7 ±0.1 Veff. (Charge de 10 kΩ)

## [Autres]

Alimentation +12 VCC, 0.6 A  
+5 VCC, 0.8 A

Dimensions externes (façade comprise)

148 (L) x 42,3 (H) x 198 (P) mm

Poids

1.1 kg

Température de fonctionnement +5 °C à +45 °C

Humidité de fonctionnement 5 % à 85 % (sans condensation)

Température de remisage -40 °C à +60 °C

Humidité de remisage 5 % à 90 % (sans condensation)

## [Accessoires]

Vis de fixation (4)

Mode d'emploi (1)

## REMARQUE:

• Les caractéristiques techniques et présentation de ce produit sont sujets à des changements sans préavis pour améliorations.

Publication de Pioneer Corporation.

© 2003 Pioneer Corporation.

Tous droits de reproduction et de traduction réservés.

Enhorabuena por la adquisición de este producto Pioneer.

Lea completamente este manual de instrucciones para aprender a operar correctamente el aparato. Después de haber terminado la lectura de las instrucciones, guarde el manual en un lugar seguro para poderlo consultar en el futuro.

**K015Sp**

*La generación de ruido acústico es de menos de 70 dB.  
(ISO 7779/DIN 45635)*

## IMPORTANTE



El triángulo equilátero con el símbolo de un relámpago en su interior tiene por objeto alertar al usuario de la presencia de "voltaje peligroso" sin aislar en el interior del producto, el cual podría alcanzar la suficiente magnitud como para constituir un riesgo de descarga eléctrica para las personas.

### CAUTION

**RISK OF ELECTRIC SHOCK  
DO NOT OPEN**

#### PRECAUCIÓN:

PARA EVITAR EL RIESGO DE DESCARGA ELÉCTRICA, NO RETIRAR LA TAPA (NI LA CUBIERTA POSTERIOR). EL INTERIOR NO CONTIENE PIEZAS UTILIZABLES POR EL USUARIO. TODA REPARACIÓN DEBERÁ SER EFECTUADA POR PERSONAL TÉCNICO CUALIFICADO.



El triángulo equilátero con un signo de admiración en su interior tiene por objeto alertar al usuario de la existencia de importantes instrucciones de funcionamiento y mantenimiento (asistencia) en el manual que acompaña al aparato.

H002BSp

## PRECAUCIÓN

Este aparato contiene un diodo láser de clase superior a 1. Para mantener la seguridad apropiada, no saque ninguna cubierta ni intente acceder al interior del aparato.

Lleve siempre el aparato a un centro con personal de servicio técnico cualificado.

La siguiente etiqueta de precaución se encuentra en su aparato.  
Situación: En la parte superior de la cubierta.



H018A\_Sp

Para equipos enchufables, la toma de corriente deberá instalarse cerca del equipo y deberá ofrecer un fácil acceso.

# INSTRUCCIONES DE SEGURIDAD

Para garantizar su seguridad personal y aprovechar todo el potencial de su unidad, lea y respete estas precauciones de seguridad:

**AMBIENTE** - No emplee la unidad en lugares con mucho polvo, altas temperaturas, o alta humedad. Emplee la unidad en un lugar en el que no quede sometida a vibraciones ni golpes.

**ALIMENTACIÓN** - Desconecte la alimentación del sistema y la de los dispositivos conectados antes de realizar la instalación.

**LEA LAS INSTRUCCIONES** - Lea todas las instrucciones de seguridad y de operación antes de poner la unidad en funcionamiento.

**GUARDE LAS INSTRUCCIONES** - Guarde las instrucciones de seguridad y de operación para poderlas consultar en el futuro.

**SIGA LAS INSTRUCCIONES** - Siga todas las instrucciones de operación y de utilización.

**RESPETE LAS ADVERTENCIAS** - Deberán respetarse todas las advertencias.

**LIMPIEZA - NO** emplee limpiadores líquidos o de aerosol, ni alcohol. Emplee sólo un paño húmedo para limpiar el exterior.

**AGUA Y HUMEDAD - NO** emplee este producto cerca del agua.

**FUENTES DE ALIMENTACIÓN** - Haga funcionar este producto con el tipo de alimentación indicada en la etiqueta de características. Si no está seguro del tipo de alimentación disponible, consulte a un distribuidor Pioneer autorizado.

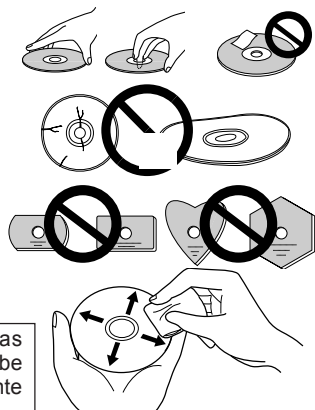
**SOBRECARGA - NO** sobrecargue las tomas de corriente ni los cables de extensión. De lo contrario podría producirse un incendio o descargas eléctricas.

**ENTRADA DE OBJETOS Y LÍQUIDOS** - No introduzca nunca ningún tipo de objeto en este aparato. Si se tocan puntos con tensión peligrosos puede producirse un incendio o descargas eléctricas. No derrame ningún tipo de líquido sobre el aparato.

**CONDENSACIÓN** - Si se lleva el aparato desde un lugar fresco a otro caliente, puede formarse humedad en la sección de funcionamiento del producto, degradando su rendimiento. Si desplaza el aparato a un lugar con temperaturas más altas, déjelo de 1 a 2 horas en el nuevo lugar antes de ponerlo en funcionamiento.

**SERVICIO** - No intente reparar usted mismo el aparato. La abertura o extracción de las cubiertas podrían exponerle a tensiones peligrosas u otros peligros. Solicite todo el servicio técnico a personal de servicio cualificado. (Consulte la tarjeta adjunta de servicio y de soporte.)

- ÷ No toque ni raye la superficie de señal (lado brillante) del disco.
- ÷ Tome el disco por los bordes o por el centro y un borde.
- ÷ No enganche papeles ni etiquetas en el disco.
- ÷ Tire los discos que estén deformados o agrietados porque pueden causar daños en la unidad.
- ÷ Evite la utilización de discos con formas irregulares, especialmente con formas de corazón o de polígonos.
- ÷ Extraiga el polvo y la suciedad del disco con un paño suave, frotando desde el interior al borde exterior en lugar de hacerlo en sentido circular.
- ÷ No emplee agentes de limpieza de discos ni antiestáticos porque estas soluciones pueden ocasionar daños en los discos.



Asegúrese de guardar siempre los discos en las cajas apropiadas de DVD-R cuando no los utilice, y compruebe siempre si hay polvo o suciedad en los discos (especialmente en el lado de grabación) antes de utilizarlos.

# CARACTERÍSTICAS

---

## ↑ Velocidad de escritura

- CLV 1X, 2X, 4X, y 8X Zone con DVD-R
- CLV 1X, 2X, y 4X con DVD-RW
- CLV 2,4X, 4X, 6X, y 8X Zone con DVD+R
- CLV 2,4X y 4X con DVD+RW
- CLV 4X, 8X, 16X y 24X Zone con CD-R
- CLV 4X, 10X, 16X, y 24X Zone con CD-RW

## ↑ Velocidad máxima de lectura

- CAV 12X con DVD-ROM
- CAV 40X con CD-ROM

## ↑ Tamaño de la memoria intermedia:

- 2 Mbytes (escritura/lectura)

## ↑ Modo de transferencia de datos IDE:

- PIO modo 4/DMA multipalabras modo 2/Ultra DMA Modo 2

## ↑ Soporta Vídeo CD

## ↑ Tipo incorporado de altura media de 5,25 pulgadas

## ↑ Salida de audio estéreo

## ↑ Servomecanismo de inclinación de la pantalla LCD

## ↑ Orientación horizontal/vertical ajustable

## ↑ Mecanismo de bajas vibraciones mediante el sistema DRA

## ↑ Soporta el formato de CD con texto

## **Formato de discos (lectura/escritura)**

## ↑ DVD de un estrato/estrato doble/disco de 120 mm/disco de 80 mm

## ↑ DVD-R (en caso de escritura, sólo disco de 650 nm para General.)

## ↑ DVD-R de alta velocidad (4X-SPEED DVD-R Versión 1,0)

## ↑ DVD-RW

## ↑ Lectura DVD-RAM (Ver 2.0 & 2.1)

## ↑ DVD-RW de alta velocidad (2X-SPEED DVD-RW Versión 1,0)

## ↑ DVD+R (Versión 1,0)

## ↑ DVD+R de alta velocidad (4X-SPEED DVD+R Versión 1,1)

## ↑ DVD+RW (Versión 1,1)

## ↑ CD-ROM modo 1

## ↑ CD-ROM XA modo 2 (forma 1, forma 2)

## ↑ CD con fotos (sesión sencilla y múltiple)

## ↑ CD-DA

## ↑ CD-Extra (CD PLUS)

## ↑ CD-R, CD-RW, y CD-RW de alta velocidad

## ↑ La perilla para controlar volumen y el conector auricular son opcionales.

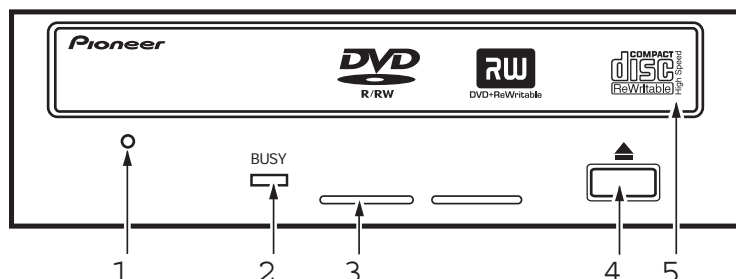
## ↑ El lector obtendrá la certificación del programa Microsoft Windows Logo (WHQL)

## ↑ Soporta protección de 'buffer under-run' para (CD&DVD)

## **Nota:**

*Para la escritura, se requiere un programa de aplicación específico que soporta el formato de arriba.*

## VISTA FRONTAL



### 1 Orificio de expulsión forzada

Inserte una varilla rígida en el orificio y empujela para abrir la bandeja cuando no se abra la bandeja al presionar el botón de expulsión.

Durante la operación normal, debe utilizarse el botón de expulsión para abrir la bandeja. Antes de introducir la varilla en el orificio de expulsión, asegúrese de que la alimentación de la unidad esté desconectada y espere más de un minuto hasta que el disco haya dejado de girar.

### 2 Indicador de ocupado (BUSY)

El estado de operación se indica de la forma siguiente.

Durante la lectura Se enciende.

Durante la escritura Se enciende.

### 3 Orificios de ventilación

No bloquee estas partes.

### 4 Botón de expulsión (0)

Para extraer/insertar el disco, presione el botón.

### 5 Bandeja del disco

Abra la bandeja del disco presionando el botón de expulsión, y ponga un disco CD o DVD en la ranura con la etiqueta arriba. Presione el botón de expulsión o empuje la parte frontal de la bandeja para introducir la bandeja con el disco.

**No intente sacar a la fuerza la bandeja del disco.**

## Precauciones para la reproducción de discos de 8 cm

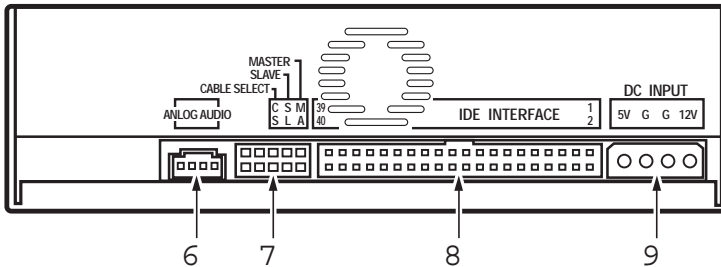
Los discos de 8 cm no pueden reproducirse cuando la unidad se ha instalado verticalmente, aunque se coloque un adaptador en el disco.

## OBSERVACIÓN SOBRE LOS CÓDIGOS DE REGIÓN

Los códigos de región **SÓLO** pueden cambiarse **5** veces, incluyendo el primer ajuste. Tenga presente que el quinto cambio será el que quedará **PERMANENTEMENTE**, por lo que deberá tener cuidado cuando cambie los códigos de región.

÷ Los códigos de región forman parte de la Norma DVD. Sin embargo, los códigos de región de los discos DVD son opcionales. Los discos DVD que no tienen especificado ningún código de región pueden reproducirse en todos los reproductores.

## VISTA POSTERIOR



### 6 Salida de audio

Es un conector para salida de audio analógico.

Este conector es compatible con 'Molex 70553'. Seleccione un cable de conexión adecuado.

Contacto	Nombre	Función
1	L	Salida de audio del canal izquierdo.
2	G	Masa.
3	G	Masa.
4	R	Salida de audio del canal derecho.

### 7 Puentado de configuración del dispositivo

Cuando se puentean los contactos, el estado del interruptor es ON.

Antes de cambiar la posición del puentado, asegúrese de que la alimentación de la unidad esté desconectada.

El contacto N.º 1 está en ON cuando la unidad sale de fábrica.

Contacto	Nombre	Función	
1	MA	on	Se usa como unidad principal.
2	SL	on	Se usa como unidad secundaria.
3	CS	on	Se usa la función de selección de cable.
4			Reservé.
5			Reservé.

### 8 Interfaz IDE principal

Es un conector de entrada/salida de 40 contactos que conforma las especificaciones ATA.

La máxima distancia de este cable es 18 pulgadas.

### 9 Entrada de CC (DC)

Contacto	Nombre	Función
1	+12	Entrada de alimentación para +12 V CC.
2	G	Masa.
3	G	Masa.
4	+5	Entrada de alimentación para +5 V CC.

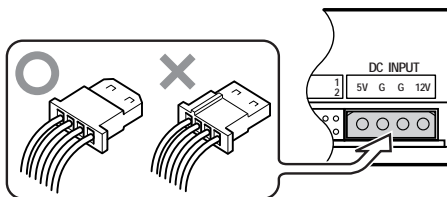
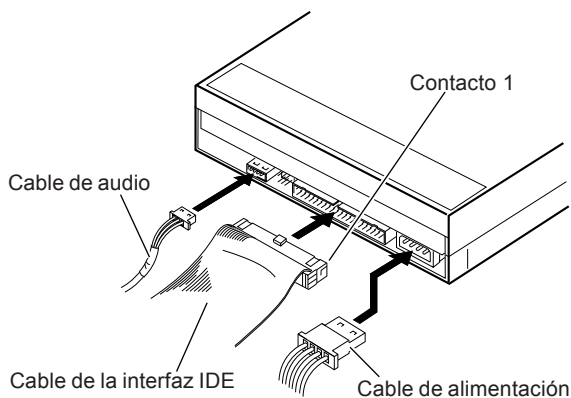


# INSTALACIÓN

---

- 1 Desconecte la alimentación del ordenador personal, desenchufe el cable de la alimentación del la toma de CA y extraiga la cubierta o el panel frontal.
  - 2 Extraiga el panel de protección instalado delante de la ranura de 5,25 pulgadas.
  - 3 Instale los rieles de deslizamiento de fijación en la unidad. (Cuando sean necesarios los rieles de deslizamiento, póngase en contacto con la tienda o el fabricante del ordenador.)
  - 4 Inserte la unidad en la ranura.
  - 5 Cuando se requiera la fijación, consulte el manual de instrucciones del ordenador.
- 
- ÷ Emplee unos tornillos con una longitud de 5 mm o menos para efectuar el montaje. El empleo de tornillos más largos podría causar daños en la unidad.
  - ÷ Cuando los tornillos de montaje están flojos, etc., las vibraciones de la rotación del disco pueden generar ruido de ondulación, y para evitarlo, los tornillos deberán estar apretados con seguridad.

# CONEXIONES



- ÷ Desconecte la alimentación del ordenador personal.
- ÷ Conecte el cable de alimentación desde el ordenador personal. Cuando efectúe la conexión, preste atención a la polaridad del cable.
- ÷ Conecte el cable de interfaz IDE. Entonces, confirme que el contacto 1 del conector IDE de la unidad esté correctamente conectado al contacto 1 del cable.
- ÷ Cuando se emplee una tarjeta de sonido, conecte la salida de audio a la tarjeta de sonido con un cable de audio.

Asegúrese de suministrar la alimentación eléctrica para este producto desde el ordenador personal que se haya conectado. No emplee ninguna otra fuente de alimentación que no sea la interna del ordenador personal.

# ESPECIFICACIONES

## [Ajuste]

Esta unidad es para su utilización horizontal y vertical.

## [Tamaño de los discos]

↑ 12 cm / 8 cm\*

\* Los discos de 8 cm no pueden utilizarse en la posición vertical.

## [Velocidad de transferencia de datos]

Lectura de datos (sostenida)

DVD	Máx 16.2 Mbytes/seg (5X - 12X CAV con transferencia de 16 bloques)
CD	Máx 6.0 Mbytes/seg (17.2 - Modo CAV 40X con transferencia de 16 bloques)

Escritura de datos (sostenida)

DVD	Promedio de 10.8 Mbytes/seg. (DVD-R, +R 8X)
CD	Promedio de 3.6 Mbytes/seg. (CD-R 24X)

Especificación de la interfaz principal

PIO modo 4/DMA multipalabras modo2	16.6 Mbytes/seg.
Ultra DMA modo2	*33.3 Mbytes/seg.

• *Es posible que no salga la transferencia de datos debido al estado del disco (rayadas, etc.).*

*Note: Cuando el lector trata de leer discos sucios, rallados o inbalanceados, el cual reduce la velocidad de rotación del disco. Esto causa reducción en velocidad de transferencia.*

## [Tiempo de acceso/búsqueda]

Tiempo de acceso (promedio aleatorio)

DVD-ROM 140 ms	DVD-RAM 150 ms	CD-ROM 130 ms
----------------	----------------	---------------

Tiempo de búsqueda (promedio aleatorio)

DVD-ROM 130 ms	DVD-RAM 140 ms	CD-ROM 120 ms
----------------	----------------	---------------

## [Características de audio]

Salida de línea 0.7 ±0.1 V rms (a carga de 10 kΩ)

## [Otros]

Alimentación	+12 V CC, 0.6 A +5 V CC, 0.8 A
Dimensiones (incluyendo el panel frontal)	148 (An) x 42,3 (Al) x 198 (Prf) mm
Peso	1,1 kg
Temperatura de funcionamiento	+5°C a +45°C
Humedad de funcionamiento	5% al 85% (sin condensación)
Temperatura de almacenaje	-40°C a +60°C
Humedad de almacenaje	5% al 90% (sin condensación)

## [Accesorios]

- ÷ Tornillo de montaje (4)
- ÷ Manual de instrucciones (1)

## NOTA:

• *Especificaciones y diseño sujetos a posibles modificaciones sin previo aviso por razones de mejora del producto.*

Publicado por Pioneer Corporation.  
Copyright © 2003 Pioneer Corporation.  
Todos los derechos reservados.

## AFTER-SALES SERVICE FOR PIONEER PRODUCTS

Please contact the dealer or distributor from where you purchased the product for its after-sales service (including warranty conditions) or any other information. In case the necessary information is not available, please contact the Pioneer's subsidiaries (regional service headquarters) listed below:

PLEASE DO NOT SHIP YOUR PRODUCT TO THE COMPANIES at the addresses listed below for repair without advance contact, for these companies are not repair locations.

### AMERICA

Pioneer Electronics (USA), Inc.  
Customer Support Division  
P.O. Box 1760  
Long Beach, CA 90801-1760  
U.S.A.

### CANADA

Pioneer Electronics of Canada, Inc.  
Industrial Products Department  
300 Allstate Parkway,  
Markham, Ontario  
L3R-OP2 Canada

S022D\_En

Published by Pioneer Corporation  
Copyright (c) 2003 Pioneer Corporation  
All rights reserved.

### PIONEER ELECTRONICS (USA), INC.

2265 East 220th Street, Long Beach, CA 90810 U.S.A.  
TEL: 1-310-952-2000

### PIONEER ELECTRONICS OF CANADA

300 Allstate Parkway, Markham, Ontario L3R OP2, Canada  
TEL: 1-905-479-4411